

- Very fast response times
- Accurate output pressure
- Micro parameter settings
- Selectable I/O parameters
- Quick, full flow exhaust
- LED display indicates output pressure
- No air consumption in steady state
- Multiple mounting options
- Protection to IP65
- P31P flows to 19 dm<sup>3</sup>/s (40 scfm)
- P32P flows to 57 dm<sup>3</sup>/s (120 scfm)



P31PA Series  
Bottom exhaust



P32PA Series  
Bottom exhaust

## Order Key

<b>P 3</b>		<b>P A</b>					<b>2</b>				<b>1</b>	<b>A</b>
------------	--	------------	--	--	--	--	----------	--	--	--	----------	----------

**Port size**

Global Mini (1/4")	<b>1</b>
Global Compact (1/2")	<b>2</b>

**Thread type**

BSPP	<b>1</b>
NPT	<b>9</b>

**Port size**

Global Mini (1/4")	<b>2</b>
Global Compact (1/2")	<b>4</b>

**Version**

Bottom ported exhaust NC	<b>A</b>
Bottom ported forced exhaust (NO) *	<b>E</b>

**Pressure Range**

0 - 2 bar	<b>Z</b>
0 - 7 bar	<b>S</b>
0 - 10 bar	<b>D</b>

**Power supply**

24 volts	<b>2</b>
----------	----------

**Control Signal**

0-10 V	<b>V</b>
4-20 mA	<b>A</b>

**Output Signal**

Digital, PNP	1)	<b>D</b>
PNP or 0-10V	2)	<b>P</b>
NPN or 0-10V	3)	<b>N</b>
4-20mA fixed	4)	<b>M</b>

**Input connector**

M12 (4 pin)	<b>1</b>
-------------	----------

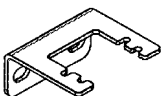
\* When the supply voltage is lost the unit will automatically exhaust the regulated pressure to 0 bar (atmospheric pressure)

- 1) Digital PNP output only, no analogue output selectable
- 2) Digital PNP and analogue 0-10V outputs selectable, by means of parameter 6. (Factory default 0-10V)
- 3) Digital NPN and analogue 0-10 V outputs selectable by means of parameter 6. (Factory default 0-10V)
- 4) Analogue 4-20mA output only.

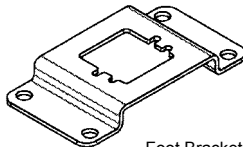
**Note:** On all analogue outputs the F.S. value can be adjusted by means of parameter 8

## P31P Mounting brackets

Order Code	Description
<b>P3HKA00ML</b>	L-Bracket mounting kit
<b>P3HKA00MC</b>	Foot bracket mounting kit



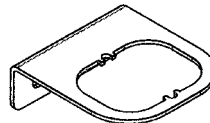
L-Bracket



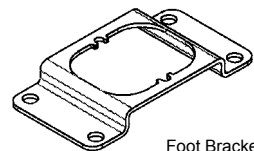
Foot Bracket

## P32P Mounting brackets

Order Code	Description
<b>P3KKA00ML</b>	L-Bracket mounting kit
<b>P3KKA00MC</b>	Foot bracket mounting kit



L-Bracket



Foot Bracket

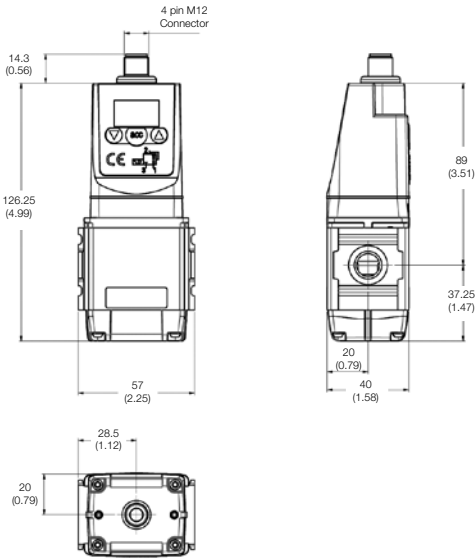
## Cables

Order Code	Description
<b>P8L-MC04A2A-M12</b>	2 mtr. cable with moulded straight M12x1 connector
<b>P8L-MC04R2A-M12</b>	2 mtr. cable with moulded 90 degree M12x1 connector.

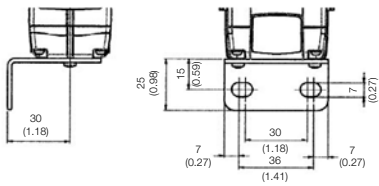
### Note:

These brackets fit both Proportional Regulators and Combined Soft Start & Dump Valves.  
Dimensions see page: 61

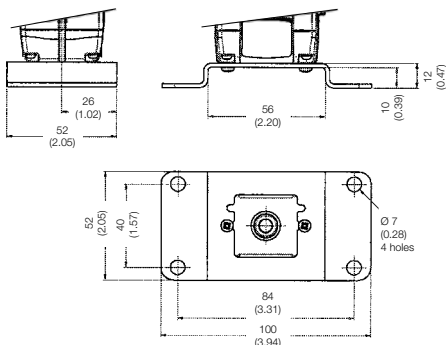
**P31P**



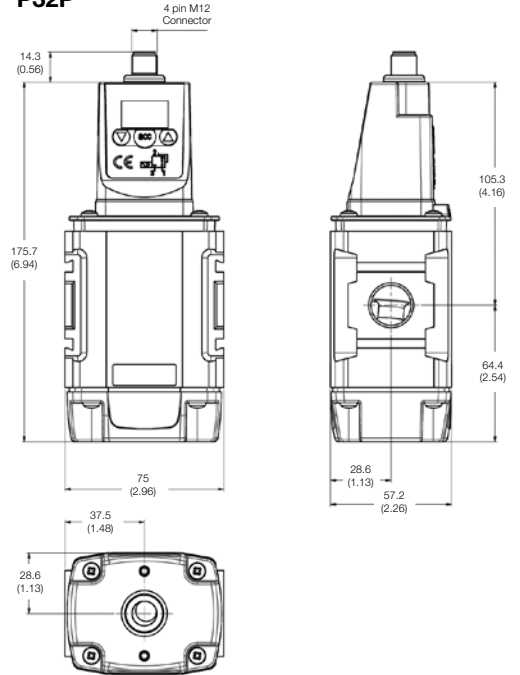
**L-Bracket**



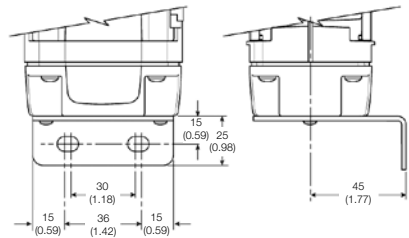
**Foot Bracket**



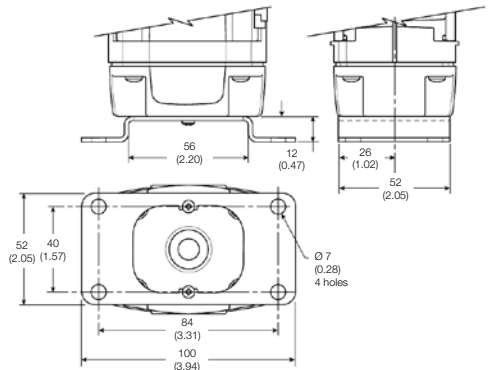
**P32P**



**L-Bracket**



**Foot Bracket**



Dimensions are in mm (Inches)